

# Medial Thigh Support

The Spex medial thigh support is a wedge shape that can be attached to the front of the wheelchair seat. It should be used to keep the user's legs in the correct position to maintain a neutral pelvis. Provides a comfortable yet firm knee and medial thigh support through a soft padding and removable washable cover.



## CLINICAL

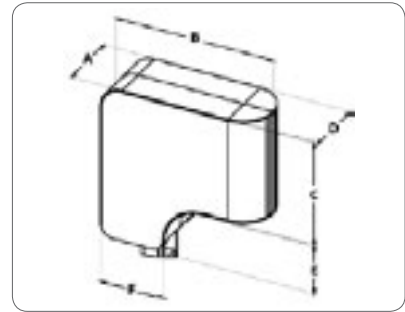
- Should be used with clients who experience a variety of movement disorders, fluctuating muscle tone, spasticity or contractures
- Assists to align the heads of the femurs with the acetabulum providing symmetrical hip abduction for proper posture
- Abduction allows equal weight bearing through both ischial tuberosities and thighs, thus permitting better pressure distribution
- Provides a wider, more stable support base for the upper body while limiting contractures and deformities that could interfere with function
- In hip dysplasia cases, luxation or dislocation; provides comfort and reduces pain
- Not to be used as a way to prevent or limit forward sliding. Should be installed clear of the groin area

## FUNCTIONAL

- Depth adjustable convenience combined with flip down hardware, which can then pull off the mount to allow an unimpeded transfer (pull-off feature can be locked with a bolt if not required)
- Easy access release hardware which can be mounted to a seat pan
- Huge height range for high profile cushions

Pad Style	Pad Size	Code	A	B	C	D	E	F
Standard	1	1162-1501-000	60 mm	145 mm	95 mm	40 mm	40 mm	65 mm
"	2	1162-1502-000	60 mm	155 mm	100 mm	60 mm	50 mm	65 mm
"	3	1162-1503-000	60 mm	185 mm	105 mm	60 mm	60 mm	75 mm
Axial-Adjust	1	1162-1601-000	70-140 mm	145 mm	95 mm	50-120 mm	40 mm	65 mm
"	2	1162-1602-000	70-140 mm	155 mm	100 mm	60-140 mm	50 mm	65 mm
"	3	1162-1603-000	70-160 mm	185 mm	105 mm	60-140 mm	60 mm	75 mm

## PAD OPTIONS



### STANDARD PAD

Refer table below for size options.

Approx. weight is from 0.8 to 1.1 kg



### AXIAL-ADJUSTABLE PAD

Shown below without cover. Unique expansion fabric cover allows multiple adjustments.

Offset and swivel for asymmetric positions. Infinite adjustments.

Approx. weight is from 0.95 to 1.25 kg