



active  
rehab

# YOGI

Stroller & bicycle trailer

GIVING YOU  
FREEDOM  
TO EXPLORE





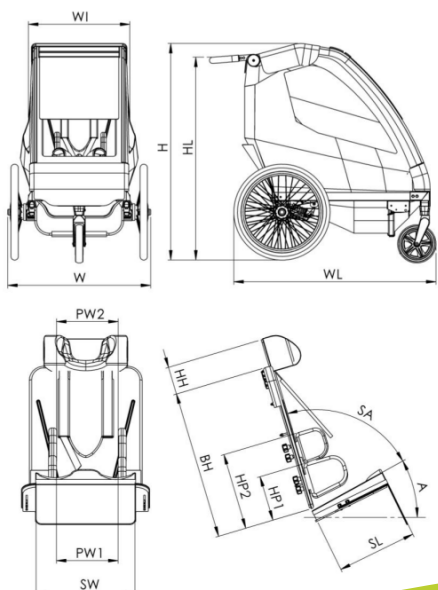
## WHAT IS YOGI?

YOGI is a special adaptive device for disabled children. It is an unique 3-in-1 solution, because you can easily change it into a specialized bicycle trailer or a stroller. Ideally suited to both everyday mobility, during morning jogging, or on a long bicycle trips, taking care all the time of the right position and safety of your child. The stroller is designed for children up to 130 cm tall.



## KEY FEATURES:

- Depth-adjustable seat
- Independently adjustable hip and chest supports – the possibility of asymmetric settings
- Back support angle adjustment
- Adjustable angle of the seat (80, 130, 180, 230 or 280)
- Anatomical headrest
- 3-point belts
- Adjustable frame shock absorption
- Parking brake
- Stroller assembly kit for a bicycle
- Adjustable handle
- Reflective elements
- Pelvic stabilization belts
- Swivel front wheel
- Big pumped and removable rear wheels
- 3-in-1
- Full stabilization of the child
- Easy of use
- Possibility of folding the stroller for transport



No.	Dimension name	Unit	Symbol	
1	Seat depth	cm	SL	20±27
2	Seat width	cm	SW	33,5
3	Seat angle	°	A	8/13/18/23/28
4	Back-support angle	°	SA	A=8 (100/105/113) A=13 (95/100/108) A=18 (90/95/103) A=23 (85/90/98) A=28 (80/85/93)
5	Back height	cm	BH	55
6	Headrest extension height	cm	HH	10
7	Side support height	cm	HP2	27±40
8	Chest supports spacing	cm	PW2	13,5±30
9	Pelvic supports height	cm	HP1	16±27
10	Pelvic supports spacing	cm	PW1	13,5±30
11	Handle height	cm	HL	86±115
12	Total base width	cm	W	67,5
13	Base width inside	cm	W1	52
14	Height	cm	H	110
15	Maximum user's weight	kg		30
16	Maximum load	kg		43
17	Trailer's weight	kg		20