

spex® | Wonderseat™ Stroller

A breakthrough in rehabilitative stroller seating.

The Spex Wonderseat provides a solution for paediatrics that has never been seen before. For children with positioning needs where a stroller is the preferred option for the family, the Spex Wonderseat provides an optimum seating support designed to accommodate even the most challenging requirements!



Create clinical solutions with Spex cushion and back support system.



ALLOWANCE FOR HIP/THIGH FLEXION AND PRE-ISCIAL SUPPORT

A good pelvic foundation is paramount to assist in slowing, or even preventing pelvic and spinal asymmetries. Therefore, the cushion adjusts to correct or accommodate the child's pelvic and thigh needs.



SPEX POSITIONING CUSHION BASE

Strategic positioning pads can be added or removed from underneath the cushion to allow for different contours and shapes. This way we can meet the client's posture requirements present today; and readjust them in the future.



PELVIC OBLIQUITY BUILD-UP

Pelvic obliquity build-up can be achieved and easily adjusted on the cushion ischial well. Its adjustable pre-ischial area can be conformed on-the-spot for greater or lesser anti-thrust needs.



CREATE INSTANT SHAPE

Back support shaping allows for accommodation or correction of trunk spinal deformities, that will ultimately be supported through multi-adjustable lateral supports and anterior chest harnesses.



SPEX CONTOURING SYSTEM

Pockets behind the back-foam inner create a modular and adjustable solution for changing the contour to suit different user shapes and posture needs.



ASYMMETRICAL CONTOURING

Back support adjustable shaping can be easily adapted to meet common spinal deformities, such as Scoliosis, Lordosis, Kyphosis.

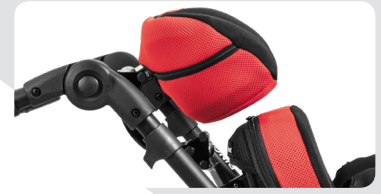
spex® | Wonderseat™ Stroller

Strollers

A smart-looking stroller that enables parents to take their child outside and explore! (A sun canopy is included in the package.)



Adjustable suspension system.



COMFI HEAD SUPPORT

Ultimate comfort and positioning for the head with inbuilt lateral and occipital support. 2 styles available: standard lateral and extended lateral (shown).
Standard 2885-4241-XXX
Extended 2885-4341-XXX



Adjustable recline, seat tilt & elevating footplate.

Superior comfort and style

With a wide range of coloured seating options to choose from, the Spex Wonderseat offers a colour to suit any style. Stand out from the crowd in with our Chilli red or look pretty in pink with the Calypso.



OCEAN
-060



MANGO
-030



GRANITE
-090



CHILLI
-022



CALYPSO
-028

WONDERSEAT TECHNOLOGY

- Spex cushion
- Spex back support
- Axial lateral supports
- Forearm supports

OPTIONS

- Hip belt positioning
- Shoulder harnesses
- Comfi head supports

FRAME AND SEAT FEATURES

- Bingo OT mobility base in matte black
- Open footrest platform
- Tray table

- Elevating legrest allowing for contractures 85°-160°
- Sun canopy

- Basket
- Transport tie-downs

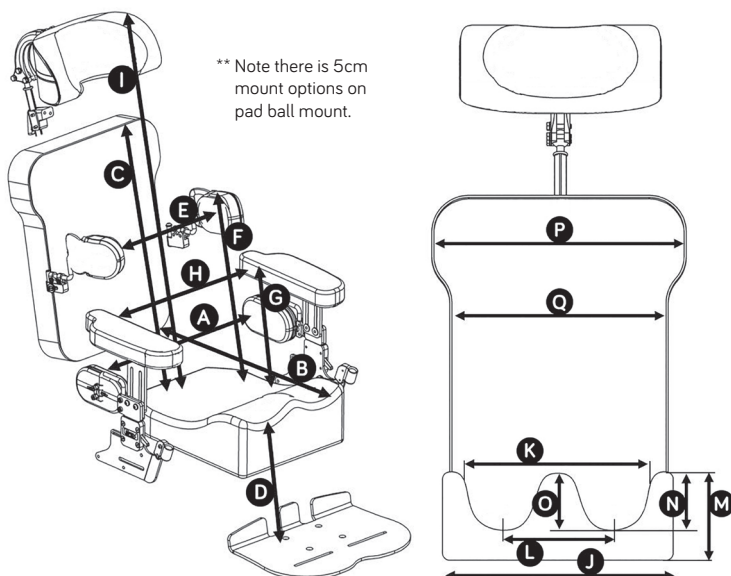
- Ventilator tray for respiratory equipment
- Feet sandals

- Height-adjustable indoor base
- Axial Pelvic Supports

spex® | Wonderseat™ User measurements

Bingo Stroller Size	Size 1	Size 2			
Bingo Stroller Order Code	2885-0031-032	2885-0032-032			
Seating specs	A Hip width		17-28cm (6.5-11")	22-33cm (8.5-13")	
	B Seat depth		18-23cm (7-9") 1.1 Cushion 23-30cm (9-12") 1.2 Cushion	23-33cm (9-13") 2.1 Cushion 28-38cm (11-15") 2.2 Cushion	
	C Back height		36-44cm (14-17")	40-48cm (16-19")	
	D Lower leg length*		25-40cm (10-16")	25-45cm (10-18")	
	E Trunk lateral width		12-28cm (5-11")	15-30cm (6-12")	
	F Trunk lateral height		15-34cm (6-13.5")	17-40cm (6.5-16")	
	G Arm support height		15-22cm (6-8.5")	15-22cm (6-8.5")	
	H Internal arm support width		20-32cm (8-13")	28-38cm (11-15")	
	I Head support height		45-65cm (18-25.5")	50-70cm (20-28")	
	J Cushion total width		33cm (13") Size 1.1 33cm (13") Size 1.2	38cm (15") Size 2.1 38cm (15") Size 2.2	
	K Internal cushion width		23cm (9") Size 1.1 28cm (11") Size 1.2	28cm (11") Size 2.1 33cm (13") Size 2.2	
	L Centre of thigh contours		15cm (6") Size 1.1 17cm (6.5") Size 1.2	18cm (7") Size 2.1 20cm (8") Size 2.2	
	M Cushion side height		14cm (5.5")	14cm (5.5")	
	N Thigh contour height		9cm (3.5")	9cm (3.5")	
	O Abductor contour height		5cm (2")	5cm (2")	
	P Back cushion width		33cm (13")	38cm (15")	
	Q Trunk cushion width		26cm (10")	30cm (12")	
	Stroller specs	Frame seat depth capacity		18-30cm (7-12")	20-38cm (8-15")
		Frame back height capacity		36-46cm (14-18")	41-55cm (16-22")
Backrest recline angle		90-160°			
Height of push bar		75-110cm (29.5-43")			
Overall frame width		63cm (25")	68cm (27")		
Max load of seat unit		50kg (110lb) (body weight including other load)			
Base frame capacity		60kg (132lb)			

Stroller Package includes matte black frame with tie downs, 3 kg fabric basket, tray table, and sun canopy.



spex® | Wonderseat™

Adjustable seating and stroller



Cobra height-adjustable indoor base. The seat easily transfers into the Cobra for feeding and activity times. Tilt setting can still be adjusted.
Size 1: 2880-8711-000
Size 2: 2880-8721-000



Seat in forward facing direction.



Seat in rear facing direction.

Strollers

Rehabilitative care improves with innovative Spex seating.



AXIAL PELVIC SUPPORTS

Multi-adjustable pelvic supports can orientate in width and angle for optimum pelvic control. These pads are mounted to the quick-release hardware meaning transfers are easy.
Size 1: 2885-1111-000
Size 2: 2885-1112-000



SPEX BACK SUPPORT

Comfortable pressure-reducing back support with contouring cell system to permit a personal contour for bony prominences, scoliosis and other asymmetrical back postures.
Size 1: 2885-2012-OXX
Size 2: 2885-2014-OXX



SPEX SUPERHIGH CUSHION

Specially designed for a young child who has moderate to high positioning requirements. Spex Superhigh offers optimal adduction and abduction contours to effectively position the pelvis and legs. Spex positioning technology allows further adjustment for pelvic obliquity, hip flexion and other clinical requirements.
1.1: 2885-0610-OXX **1.2:** 2885-0611-OXX
2.1: 2885-0612-OXX **2.2:** 2885-0613-OXX



AXIAL LATERAL TRUNK SUPPORTS

Comfortable lateral supports that are width, depth and multiple angle adjustable. Patented mechanically rotational system allows the lateral pad to rotate to correctly align to the user's trunk. Swing-away hardware make it easy for carers to transfer the child in and out.
Narrow: 2885-3410-291
Broad: 2885-3431-291



FOREARM SUPPORTS

Comfortable, padded forearm supports on quick-release hardware make transfers easy for the carers.
Size 1: 2885-5621-291
Size 2: 2885-5622-291



FEET POSITIONING SANDALS

Straps can be fixed in a variety of ways to achieve the most appropriate support for each child. Independently adjustable to exactly accommodate the optimum foot position.
Sandals: 2885-6081-000
Sandal Raising Blocks: 2885-6091-000